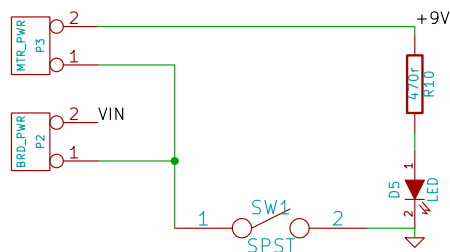
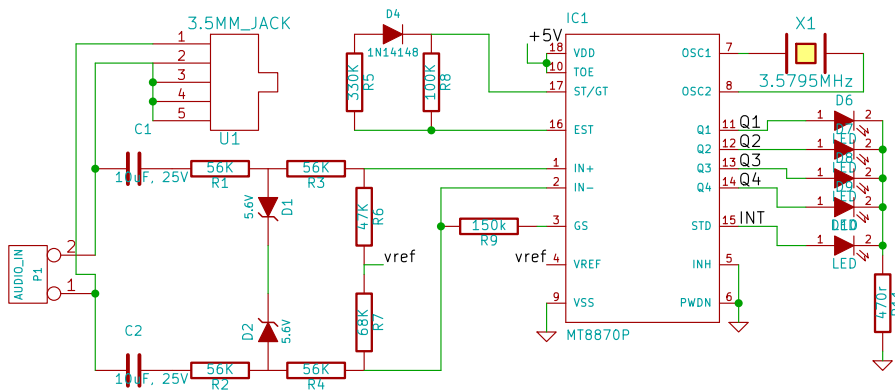


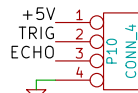
POWER SUPPLY



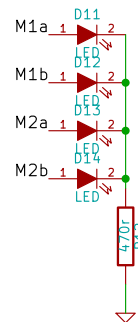
DTMF DECODER



ULTRA_SONIC SENSOR



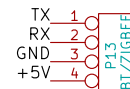
MOTOR DIRECTION INDICATION LEDS



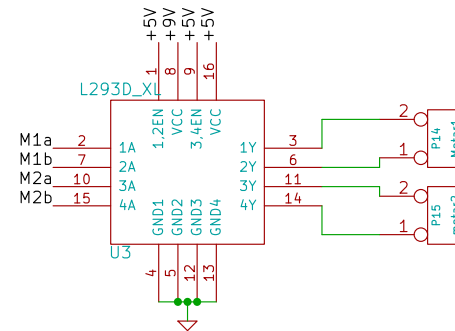
SENSORS CONNECTOR



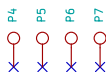
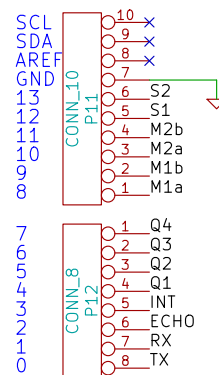
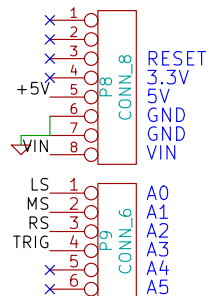
BLUETOOTH/ZIGBEE CONNECTOR



MOTOR DRIVER (L293D)



SELECTION SWITCHES



File: Arduino_Robo_Shield.sch	
Sheet: /	
Title: Explore Robotics Shield for Arduino	
Size: A4	Date: 22 may 2015
KiCad E.D.A.	Rev: Id: 1/1